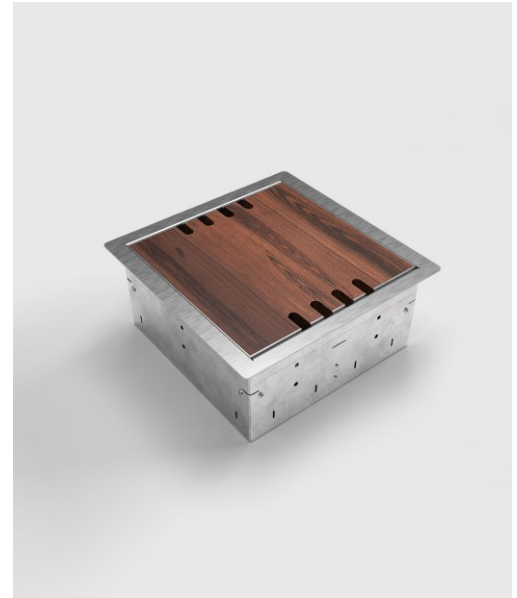


Hollow space floor boxes: 8508B-1-0

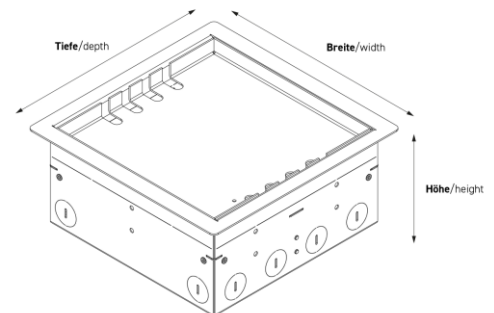
Specification:

Item No:	8508B-1-0
Product line:	Hollow space floor boxes
Units:	8
Mounting (qty):	8 x Schuko
Construction:	Square
Ground:	<ul style="list-style-type: none"> • Suitable for screed • Suitable for hollow floor
Type of inst.:	Flush mounted
Lid character.:	<ul style="list-style-type: none"> • Closable with plugged in plugs • Own floor covering applicable • Removable • With cable outlet
Environment:	Indoor – dry to moist
EAN:	4058796003381



Technical data:

Floor cover. rec.:	15 mm
Protection class:	IP 20 (in unused condition) IP 20 (in used condition)
Material:	<ul style="list-style-type: none"> • Frame made of stainless steel (1.4301) • Adapter box made of stainless steel (1.4301) • Lid made of stainless steel (1.4301) • Equipment carrier made of aluminum
Colour:	Stainless steel
Surface:	Grindet
Weight:	2,40 kg
Dimensions:	width: 230 mm height: 90 mm depth: 230 mm
Floor inst. depth:	90 mm
Height-adjust.:	30 mm
Supply line:	2 x front; 8 x lateral; 2 x back; 4 x bottom; each Ø 26 mm
Load:	120 kg



Features:

Features:	<ul style="list-style-type: none"> • All assemblies with VDE certification • Complete and pre-assembled
------------------	---