

## Wall distributors: 5722E-1\*

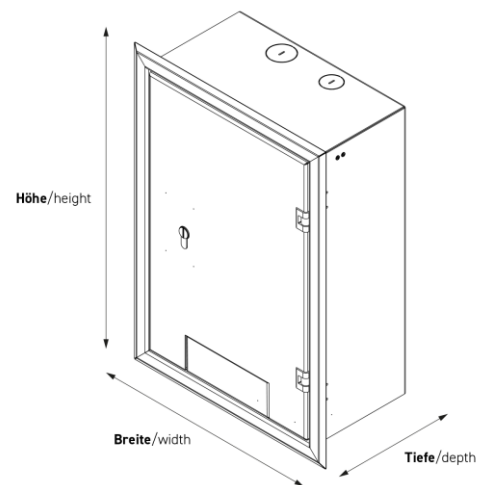
### Specification:

<b>Item No:</b>	5722E-1*
<b>Product line:</b>	Wall distributors
<b>Units:</b>	4
<b>Mounting (qty):</b>	2 x Schuko 1 x CEE 5/16A 400V/6h 1 x CEE 5/32A 400V/6h
<b>Protection:</b>	2 x MCB, B16, 1-p 1 x MCB, C16, 3-p 1 x MCB, C32, 3-p 1 x RCCB, 40A, 0.03A, 4-p
<b>Connection:</b>	1 x Main line branch clamp Pollmann HLAk 25mm <sup>2</sup> , 5pol.
<b>Wiring:</b>	Pre-wired ready to connect
<b>Construction:</b>	Rectangular
<b>Ground:</b>	Suitable for installation in a wall
<b>Type of inst.:</b>	Flush mounted
<b>Door character.:</b>	<ul style="list-style-type: none"> <li>• Closable with plugged in plugs</li> <li>• Lockable by Semi-cylinder closed</li> <li>• With cable outlet</li> </ul>
<b>Environment:</b>	Outdoor area
<b>EAN:</b>	0706332879153



### Technical data:

<b>Protection class:</b>	IP 44 (in unused condition) IP 44 (in used condition)
<b>Material:</b>	<ul style="list-style-type: none"> <li>• Frame made of stainless steel (1.4301)</li> <li>• Housing made of stainless steel (1.4301)</li> <li>• Door made of stainless steel (1.4301)</li> <li>• Equipment carrier made of stainless steel (1.4301)</li> </ul>
<b>Colour:</b>	DB701(*-6) / DB703(*-7) or by arrangement
<b>Surface:</b>	Powder-coated
<b>Weight:</b>	10,50 kg
<b>Dimensions:</b>	width: 346 mm height: 496 mm depth: 178 mm
<b>Wall inst. depth:</b>	170 mm
<b>Supply line:</b>	2 x back; 2 x top; respectively 1 x Ø 33 mm / 1 x Ø 41 mm



### Features:

**Features:** Complete and pre-assembled